

DLC274

270Mb/s Digital Video 4-to-1 TDM Multiplexer with Optical Transmitter/Receiver/Repeater

DL4000 VIDEO TRANSPORT SYSTEM



Features

Single Slot Card Set

Transport four 270Mb/s video circuits on a single optical wavelength

- Support any combination of:
 - SD-SDI (SMPTE 259M-C, ITU 656)
 - SDTI (SMPTE 305M)
 - DVB-ASI
 - Other 270Mb/s services
- Use with DLC170 for Composite Analog Transport
- Full reclocking removes jitter from SDI

Industry Standard 1.485Mb/s output

Space Efficient

- Utilizes one slot in the DL4000 Video
- Transports up to 16 video circuits per rack unit

Externally Accessible SFP Transceiver Optics

- Optical budget to 34dB
- WDM (1310nm, 1550nm)
- CWDM ITU G.694.2 (Channels 27-61)
- DWDM ITU G.694.1 (Channels 21-60)

Multiple Monitoring Options

- Switch selectable front panel monitor of individual channels (Mini 75ohm SMB)
- Front and rear panel status LEDs
 - Loss of video (individual channels)
 - Loss of optical input
 - Laser (SFP) fail

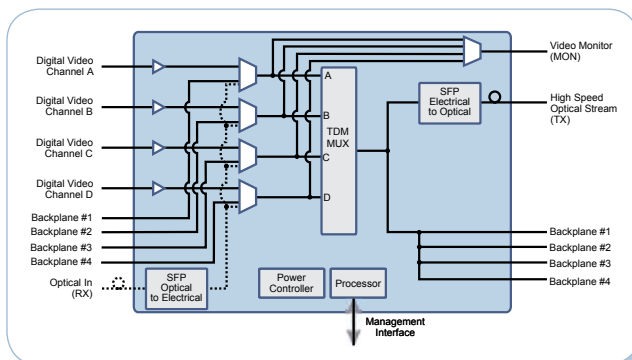
Remote Management via DL-Manager

- No external software required
- HTTP or SNMP v2
- Monitor
- Configure
- Upgrade firmware

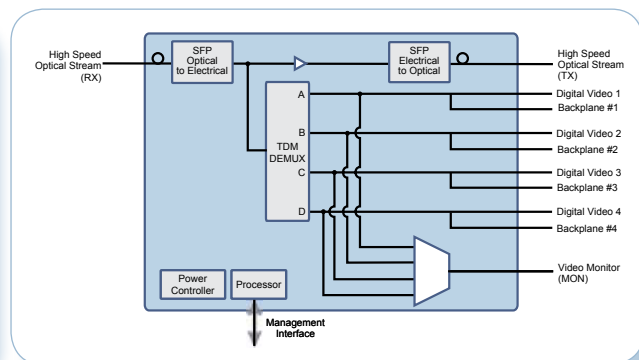


The DLC274 utilizes Time Division Multiplexing (TDM) to combine four independent 270Mb/s video signals into one optical channel. This enables transport of up to 160 270Mb/s service over a single fiber making it ideal for conserving both fiber and rack space.

The DLC274M and DLC274D provide a space efficient and cost effective method of transporting up to four 270Mb/s digital video services over a single optical wavelength. Services can be any combination of 270Mb/s video signals including SDI, SDTI, and DVB-ASI. Optical regeneration or repeating is accomplished using the DLC274D which includes drop and continue capabilities, the DLC100, DLC300 or any other system capable or repeating a 1.485Gb/s signal. Using industry standard 1310nm, 1550nm, CWDM, or DWDM Small Form-Factor Pluggable (SFP) optics the DLC274 enables transport of up to 160 270Mb/s circuits over a single fiber.



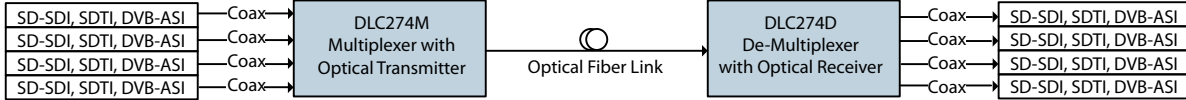
DLC274M



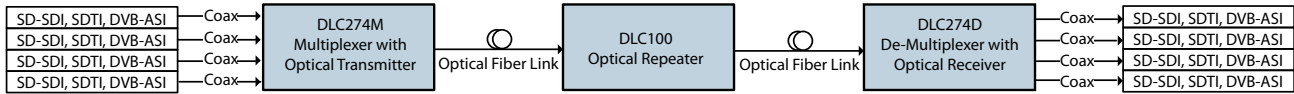
DLC274D

DLC274 Applications

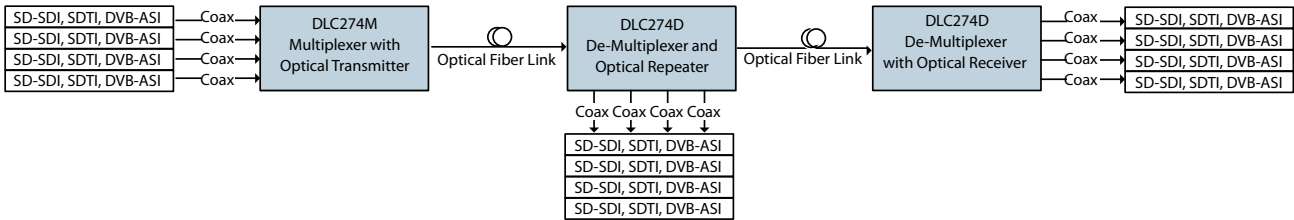
Four Channel Digital 270Mb Video Optical Transport



Four Channel Digital 270Mb Video Optical Transport with Repeater



Four Channel Digital 270Mb Video Optical Transport with Drop and Continue



Specifications

Environmental

Operating Temperature of DL4000 Chassis	0 to 50°C
Ambient Storage Temp	-40 to 80°C
Relative Humidity	10 to 95% (non-condensing)
Power Dissipation	<10 watts

Physical

Dimensions	0.8" x 5" x 10.8"
1 slot in DL4000 chassis	

Optical Interface

Artel Video SFP See SFP Specification Sheet

Electrical Interface

270Mb/s Signal Formats

- SD-SDI (SMPTE 259M-C, ITU 656)
- SDTI (SMPTE 305M)
- DVB-ASI
- Others 270Mb/s services (± 100 ppm)

Signal Polarity	Non Inverting
Channels	4
Connectors	
Input (4)	BNC 75ohm (DLC274M)
Output (4)	BNC 75ohm (DLC274D)
Monitor	Mini 75ohm SMB
Return Loss	>15 dB, 5-270 MHz

Regulatory Conformance

Compliance: NEBS Level 3, CSA 60950, EN60950, EN55022, FCC Part 15 (Class A), CISPR 22

Ordering Information

Model	Description	Part #
DLC274M	270Mb/s SDI/ASI Video 4-to-1 TDM Multiplexer	390-008020-00
DLC274D	270Mb/s SDI/ASI Video 1-to-4 TDM De-multiplexer	390-008030-00

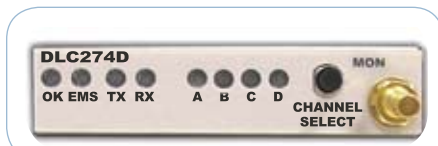
SFP Optics

Model	Description	Part #
DLS31VX-11	Video SFP 1310nm Transceiver 11dB	393-021310-11
DLS31VX-30	Video SFP 1310nm Transceiver 30dB	393-021310-00
DLS55VX-30	Video SFP 1550nm Transceiver 30dB	393-021550-00
DLSCxxVX-30	Video SFP CWDM Transceiver 30dB	393-041xx1-00
DLSWxxHX-33	2.5Gb/s SFP DWDM Transceiver 33dB	393-240033-xx

Monitor Cable

Model	Description	Part #
DL100MC-72	Monitor Cable, Mini 75ohm SMB to BNC, 72"L	396-001001-00

Specifications are subject to change without notice.



Front panel monitoring and status displays



Rear panel includes four BNC electrical connections and SFP transceiver cage



SFP Optics (Small Form-Factor Pluggable)